



MODEL : NZ12

- 1/2.8" 2Megapixel progressive scan STARVIS™ CMOS
- H.265&H.264 triple-stream encoding
- 50/60fps@1080(1920×1080)
- Smart Detection supported
- WDR(120dB), Day/Night(ICR), 3DNR, AWB, AGC, BLC
- Multiple network monitoring: Web viewer, CMS(DSS/PSS) & DMSS
- 5.3mm ~64mm 12x zoom lens
- 2/1 Alarm in/out, 1/1 audio in/out
- Max. IR LEDs Length 200m
- Micro SD memory, IP68, PoE



System Overview

Eco-savvy products by upgrading H.265 encoding technology, bringing high efficient video compression. It saves bandwidth and storage, energy-saving design to enhance the monitoring system. Meanwhile, the series offers features such as starlight, Smart IR technology, intelligent image analysis techniques. It provides excellent image quality and intelligent and efficient event reminders. This series provides IP68 weatherproof and IK10 vandal-proof protection feature. Give customers more value

Functions

Starlight Technology

Featuring Starlight Technology, this camera is ideal for applications with challenging lighting conditions. Its low-light performance delivers usable video with minimal ambient light. Even in extreme low-light conditions, Starlight Technology is capable of delivering color images in near complete darkness (0.006 lux).

Wide Dynamic Range

Embedded with industry leading wide dynamic range (WDR) technology, vivid pictures are achieved even in the most intense contrast lighting conditions. For applications with both bright and low lighting conditions that change quickly, True WDR (120dB) optimizes both the bright and dark areas of a scene at the same time to provide usable video.

Intelligent Video System (IVS)

With built-in intelligent video analytics, the camera has the ability to detect and analyze moving objects for improved video surveillance. The camera provides optional standard intelligence at the edge allowing detection of multiple object behaviors such as abandoned or missing objects. IVS also supports Tripwire analytics, allowing the camera to detect when a pre-determined line has been crossed, ideal for business intelligence, and Facial Detection, for searching or identification of individuals.

Environmental

With a temperature range of -30 °C to +60 °C (-22 °F to +140 °F), the

camera is designed for extreme temperature environments. Subjected and certified to rigorous dust and water immersion tests, the IP68 rating makes it suitable for demanding outdoor applications. For environments with rain, sleet, snow and fog, an integrated wiper provides visibility at all times.

Protection

Supporting ±30% input voltage tolerance, this camera suits even the most unstable conditions for outdoor applications. Its 4KV lightning rating provides protection against the camera and its structure from the effects of lightning.

Smart H.265+

Deliver high quality video without straining the network, Smart H.265+ is the optimized implementation of H.265. The Smart H.265+ encoding technology includes a scene adaptive encoding strategy, dynamic GOP, dynamic ROI, flexible multi-frame reference structure and intelligent noise reduction, providing saving of up to 70% of bandwidth and storage when compared with standard H.265.

HEVC (H.265)

H.265 ITU-T VCEG is a new video coding standard. H.265 Following standard developed around the existing video coding standard H.264, some retain the original technology, while some of the relevant technology to improve the new technology uses advanced technology to improve the relationship between the code stream, encoding quality, and the delay between algorithm complexity, optimize settings specific contents include: Improve compression efficiency, improve the robustness and error recovery capabilities, real-time to reduce the delay, reduce channel acquisition time and a random access delay, reduce complexity, etc

| Technical Specification | | | | | | Day/Night | Auto(ICR) / Color / B/W |
|--------------------------------|--|--------------|--------------|-------------|------------|--------------------------------------|---|
| Camera | | | | | | BLC Mode | BLC / HLC / WDR(120dB) |
| Image Sensor | 1/2.8" 2Megapixel progressive scan CMOS | | | | | White Balance | Auto/Natural/Street Lamp/Outdoor/Manual |
| Effective Pixels | 1920(H) x 1080(V) | | | | | Gain Control | Auto/Manual |
| RAM/ROM | 256MB/32MB | | | | | Noise Reduction | 3D DNR |
| Scanning System | Progressive | | | | | Motion Detetion | Off / On (4 Zone, Rectangle) |
| Electronic Shutter Speed | Auto/Manual, 1/3(4)~1/100000s | | | | | Region of Interest | Off / On (4 Zone) |
| Minimum Illumination | 0.006Lux/F1.4 (Color,1/3s,30IRE) 0.05Lux/F1.4 (Color,1/30s,30IRE) 0Lux/F1.4 (IR on) | | | | | Electronic Image Stabilization (EIS) | N/A |
| S/N Ratio | More than 50dB | | | | | Smart IR | Support |
| IR Distance | Distance up to 200m (656ft) | | | | | Defog | N/A |
| IR On/Off Control | Auto/ Manual | | | | | Digital Zoom | 16x |
| IR LEDs | 4 | | | | | Flip | 0°/90°/180°/270° |
| Lens | | | | | | Mirror | Off / On |
| Lens Type | Motorized/ Auto Iris(HALL) | | | | | Privacy Masking | Off / On (4 Area, Rectangle) |
| Mount Type | Board-in | | | | | Audio | |
| Focal Length | 5.3mm~64mm | | | | | Compression | G.711a/ G.711Mu/ AAC/ G.726 |
| Max. Aperture | F1.4 | | | | | Network | |
| Angle of View | H: 59°~5°, V:34°~3° | | | | | Ethernet | RJ-45 (10/100Base-T) |
| Optical Zoom | 12x | | | | | Protocol | HTTP; HTTPS; TCP; ARP; RTSP; RTP; UDP; SMTP; FTP; DHCP; DNS; DDNS; PPPOE; IPv4/v6; QoS; UPnP;NTP; Bonjour; 802.1x; Multicast; ICMP; IGMP; SNMP |
| Focus Control | Motorized | | | | | Interoperability | ONVIF, PSIA, CGI |
| Close Focus Distance | 1.5m(4.9ft) | | | | | Streaming Method | Unicast / Multicast |
| DORI Distance | Lens | Detect | Observe | Recognize | Identify | Max. User Access | 10 Users /20 Users |
| | W | 73m(236ft) | 29m(95ft) | 14m(46ft) | 7m(23ft) | Edge Storage | NAS Local PC for instant recording Mirco SD card 128GB |
| | T | 882m(2893ft) | 353m(1158ft) | 176m(577ft) | 88m(288ft) | Web Viewer | IE, Chrome, Firefox, Safari |
| Pan/Tilt/Rotation | | | | | | Management Software | Smart PSS, DSS, Easy4ip |
| Pan/Tilt/Rotation Range | Pan:0°~360°; Tilt:0°~90°; Rotation:0°~360° | | | | | Smart Phone | IOS, Android |
| Intelligence | | | | | | Certifications | |
| IVS (optional) | Tripwire, Intrusion, Object Abandoned/Missing | | | | | Certifications | CE (EN 60950:2000) UL:UL60950-1 FCC: FCC Part 15 Subpart B |
| Advanced Intelligent Functions | Face Detection | | | | | Interface | |
| Video | | | | | | Video Interface | 1 Port(For adjustment only) |
| Compression | H.265+/H.265/H.264+/H.264 | | | | | Audio Interface | 1/1 channel In/Out |
| Streaming Capability | 3 Streams | | | | | RS485 | N/A |
| Resolution | 1080P(1920x1080)/1.3M(1280x960)/ 720P(1280x720)/D1(704x576/704x480)/ VGA(640x480)/CIF(352x288/352x240) | | | | | Alarm | 2 channel In: 5mA 5VDC 1 channel Out: 300mA 12VDC |
| Frame Rate | Main Stream: 1080P(1~50/60fps) | | | | | Electrical | |
| | Sub Stream: D1(1~50/60fps) | | | | | Power Supply | DC12V, PoE (802.3af)(Class 0) |
| | Third Stream: 1080P(1~25/30fps) | | | | | Power Consumption | <11.5W |
| Bit Rate Control | CBR/VBR | | | | | | |
| Bit Rate | H.264: 24~9472Kbps H.265: 14~5632Kbps | | | | | | |

Environmental

| | |
|----------------------|---|
| Operating Conditions | -30° C ~ +60° C (-22° F ~ +140° F) / Less than 95% RH |
| Storage Conditions | -30° C ~ +60° C (-22° F ~ +140° F) / Less than 95% RH |
| Ingress Protection | IP68 |
| Vandal Resistance | N/A |

Construction

| | |
|--------------|--|
| Casing | Metal |
| Dimensions | 273.2mm×95.0mm×96.4mm (10.76"×3.74"×3.79") |
| Net Weight | 1.07Kg (2.36lb) |
| Gross Weight | 1.4Kg (3.09lb) |

Accessories

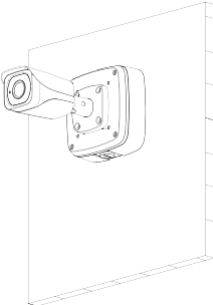
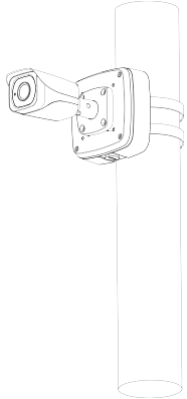
Optional:



PFA121
Junction box



PFA152
Pole Mount

| Junction Mount | Pole Mount |
|--|--|
| PFA121 | PFB121 + PFA152 |
|  |  |

Dimensions (mm/inch)

