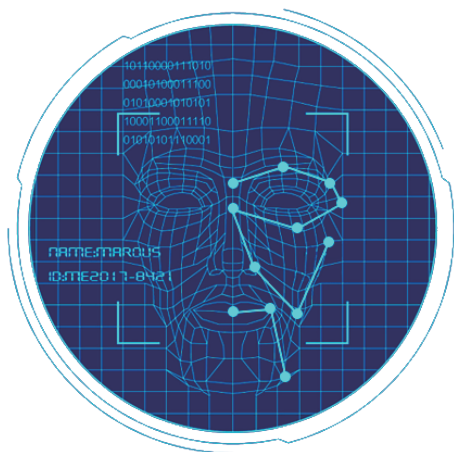


# Smart Device 2000

## Quick Start Guide



Please read the Quick Start Guide carefully before using the product and keep it.

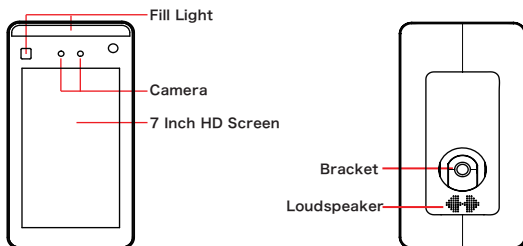
## About this Manual

- Use this manual as a guide. The photos, graphics, icons, etc. provided in the manual are for explanation purposes only, and may differ from the specific products. Please prevail in kind.
- This manual may be upgraded later for product upgrading or other request needs; For the latest version, pls contact our after sales.

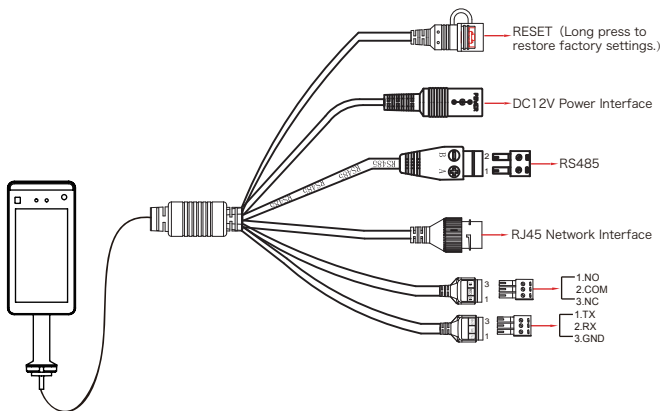
## Responsibility Statement

- To the fullest extent permitted by law , product described in this manual (hardware, software, firmware,etc included) is provided "as is", No expressed warranties or implied warranties is made by us, including but not limited to its marketability, quality-satisfaction; special purpose-serving, Non infringement of third party rights; No responsibility is bared by us for any special, collateral, incidental or indirect damage caused by using our manual or product, including but not limited to damage on commercial profit loss, data or file loss.
- Regarding to the product with internet access, the use of product shall be wholly at your own risks. Our company shall not take any responsibilities for abnormal operation, privacy leakage or other damages resulting from cyber attack hacker attack, virus inspection, or other internet security risks; however, our company will provide timely technical support if required.
- Regulatory approaches are influenced by jurisdictions.Before using this product, please check all relevant laws in your jurisdiction to ensure that your use confirms the applicable laws.If the product is used with illegal products or used for other improper purposes such as infringing the rights of third parties, the company shall not assume any responsibility.
- In the event of any conflicts between this manual and the applicable law, the legal provisions shall prevail.

# Products Appearance



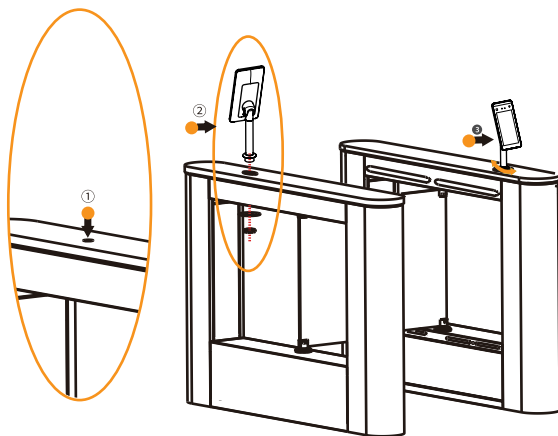
# Wire Interface



# Installation

## Install the device on the gate:

- Open a hole with a diameter of  $D = 35\text{mm}$  on the gate, and the recommended position is  $1/3$  to  $1/4$  from the entrance end;
- Insert the equipment mounting bracket into the opening of the gate and fix the equipment nut from the inside of the gate;
- Adjust the device to a suitable angle (angle between  $5^\circ$  -  $15^\circ$  vertical).



## Boot:

According to the introduction of the wire interface, connect the device to the network so that the device and the configuration computer are under the same router, and power on.

## Platform Installation

Step 1: Under the Windows operating system, double-click "SDP2000\_EN\_x-64\_VX.X.exe", and follow the prompts to perform the installation.

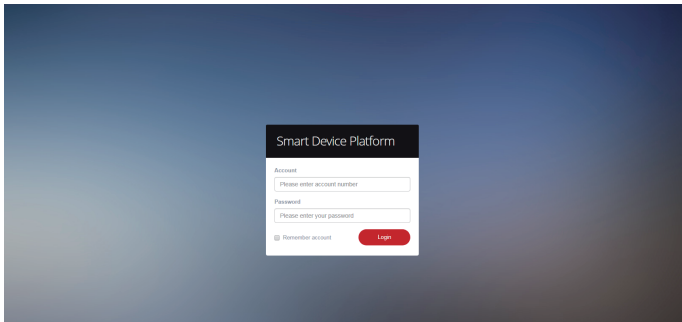
Step 2: After the installation is complete, the desktop displays the SDP2000 Sever platform icon.

# Log In



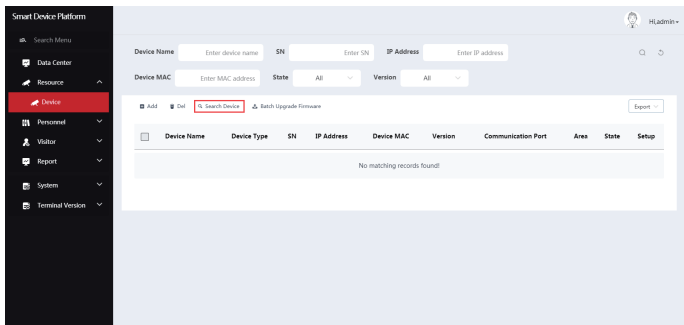
Step 1: Double-click on the desktop "  " to enter the login interface. (Google Chrome or Firefox browser is recommended).

Step 2: Enter the user name "admin", password "admin", and click "Login" to log in to the LAN platform.

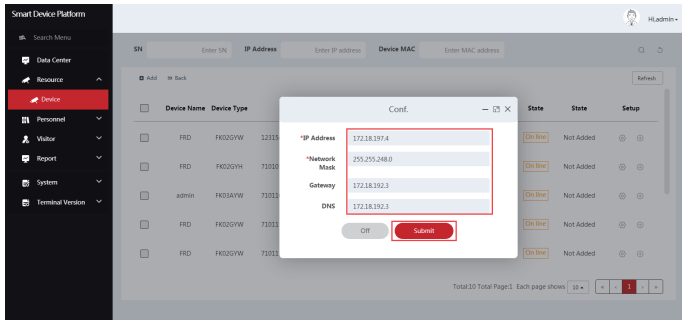


# Add Device

Step 1: After logging into the platform, check "Resource - Device - Search Device".

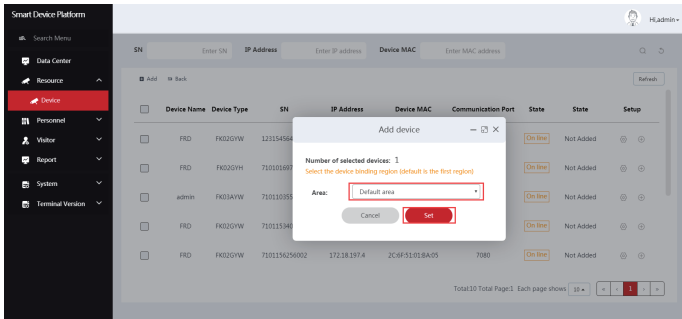


Step 2: Select the device, click "  " to modify the device IP, and click "Submit".



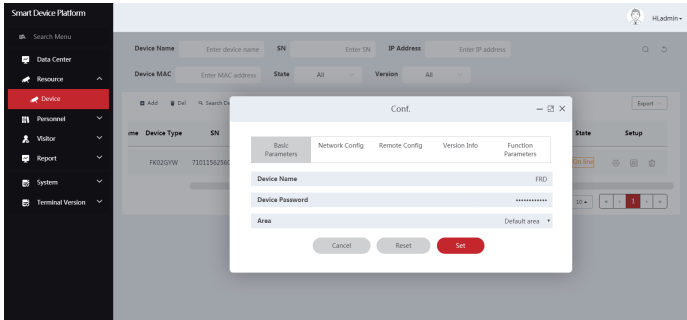
The device is turned on "DHCP" by default after leaving factory.  
 If the device is not connected to a DHCP server, but DHCP is set to "On",  
 the default values are as follows:  
 IP Address: "192.168.1.88" Subnet Mask: 255.255.255.0 Port: "7080"

Step 3: Select the device and click "⊕" or "⊕ Add", select the area, and click "Set".



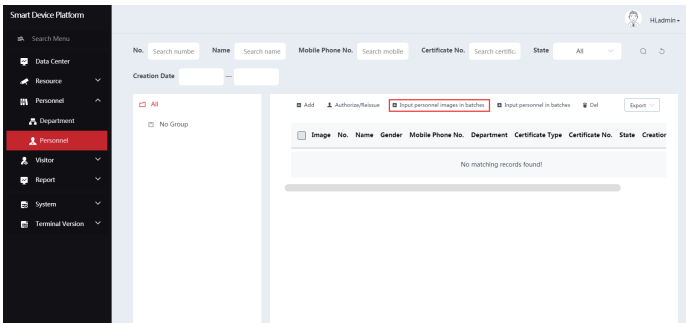
# Device Configuration

After logging in to the platform, enter the "Device" interface and click "⚙️" to configure the basic parameter and other parameter of network, remote, function and delete the device.



# Import Face Library

Step 1: [Input personnel images in batches] After logging into the platform, click "Personnel - Personnel - Input personnel images in batches" - select pictures - "Upload" and the pictures are added into the device.



[Input personnel information in batches] When importing pictures in batches, the pictures must meet the following requirements:



## Note

1. The picture naming format can be set as: name.jpg, name\_department name.jpg, name\_department name\_personnel number.jpg (the department name must exist in the system; the personnel number must be unique).
2. Ensure a clear face picture and the total size must less than 80M.

Step 2: Click "Input personnel in batches - batch add people templates.xls", download "Templates", enter personnel information in the template according to the picture, then save the template, click "Import", and import the saved personnel information template.

The screenshot shows the 'Smart Device Platform' interface. On the left is a navigation menu with options like 'Data Center', 'Resource', 'Personnel', 'Department', 'Visitor', 'Report', 'System', and 'Terminal Version'. The 'Personnel' option is selected. The main area displays a table with columns for 'No.', 'Name', 'Mobile Phone No.', 'Certificate No.', and 'State'. A modal dialog titled 'Staff Information import' is open in the center. It contains the following text:

Click to download [batch add people templates.xls](#).

This operation can improve or cover the information of the existing personnel number of the system.

Note :

- 1.Please fill in strictly according to the template
- 2.The uploaded file must be excel file(xls,xlsx)
- 3.Do not upload the same file repeatedly
- 4.The uploaded file shall not exceed 2M

An 'Import' button is located at the bottom right of the dialog box. In the background, a table is partially visible with columns for 'Certificate Type', 'Certificate No.', and 'State', and rows containing the value 'Other'.



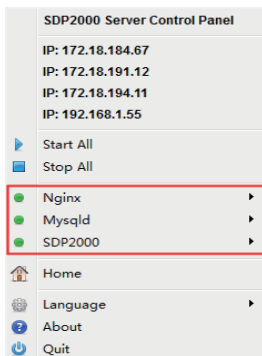
Step 3: After the gallery is added into device it can realize face recognition.



### Note

When abnormality occurs on the smart terminal platform, such as abnormal reading or abnormal data interface request, please follow the steps below:

Right-click the running SDP2000 icon in the lower right corner of the desktop to check whether the status of Nginx, Mysqld, and SDP2000 is green (normal state). If any item is displayed in gray, restart the software to make it green.



## 9. Online Upgrade

Prerequisites: The device is connected to the Internet.

- Auto online upgrade:

Step 1: Open the IE browser, enter "http: // device IP address: port number", such as "http://192.168.1.88:7080", enter the login interface, enter the device default user name (admin) and password (12345).

Step 2: Click "Maintain", check "Auto Online upgrade", every Wednesday (this time can be set to other day) the equipment automatically detects whether there is a new version online, when "New version detected, update or not" is displayed, click "Upgrade" , The device interface displays "Upgrade will start after reboot. Please do not shutdown the power", then the upgrade progress bar will be displayed, and the latest version of the program will be used after the upgrade is completed.

- Manual online upgrade:

Step 1: Open the IE browser, enter "http: // device IP address: port number", such as "http://192.168.1.88:7080", enter the login interface, enter the device default user name (admin) and password ( 12345).

Step 2: Download the upgrade file and click "Maintain → Online Test". When there is a new version, the system will prompt a sign stating whether to download it? Click "OK" to automatically download the new version to the default path.

Step 3: The system prompts : Are you sure to upgrade the new version? Click "Upgrade", the device interface will display "Upgrade will start after reboot. Please do not shutdown the power", then the upgrade progress bar will be displayed, and the latest version of the program will be used after the upgrade is completed.